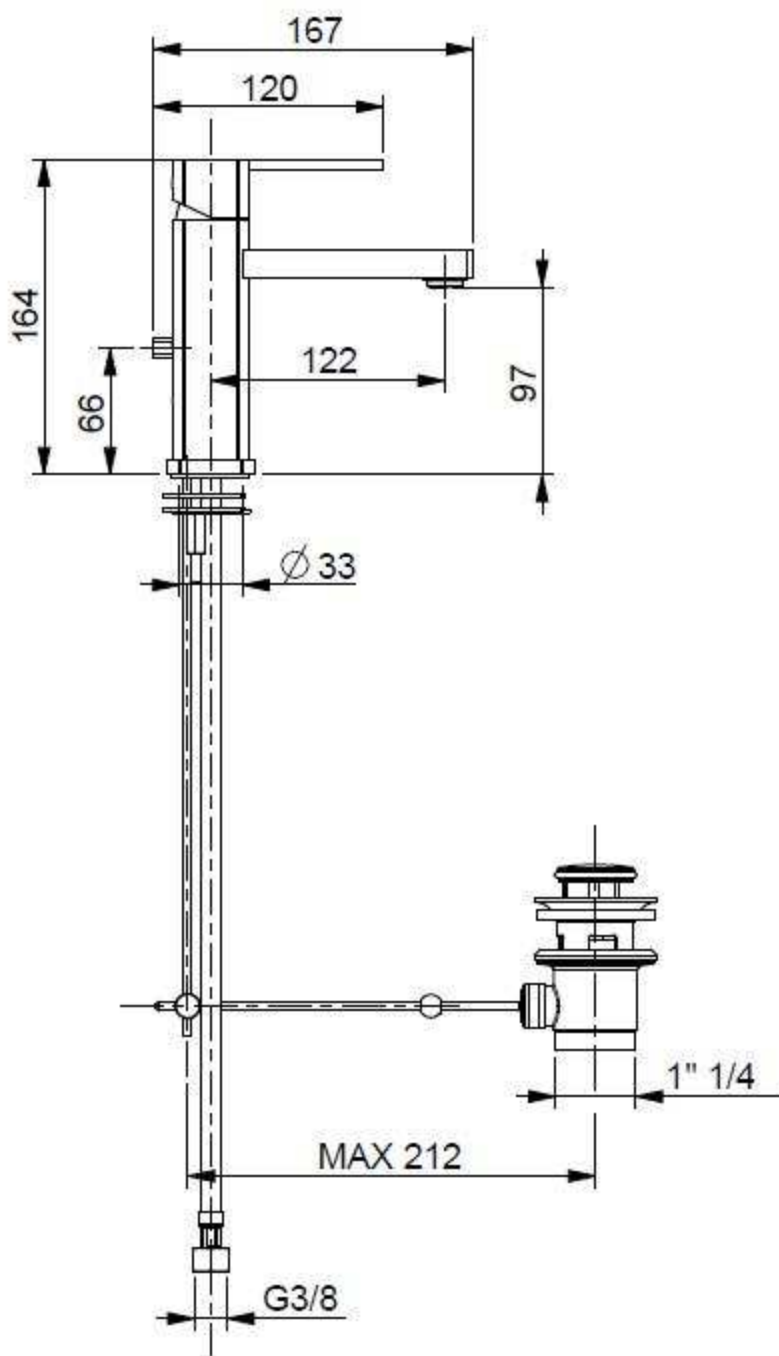


TECHNICAL DRAWING – SKIZZE

Article 66615442 EHM WASCHTISCHBATTERIE RHONE VERCHROMMT



WEBERT INDUSTRY Srl

Via M. F. Beltrami, 11 - 28014 Maggiora (NO) - ITALY - Tel. +39.0322.870180 - Fax +39.0322.87472 - info@webert.it - www.webert.it
C.F. - Reg.Imp. Novara - P. IVA IT02451430033 - C.c.i.a.a. Novara R.e.a. 237161 - Cap. soc. 16.900,00 Euro i.v. - Socio Unico