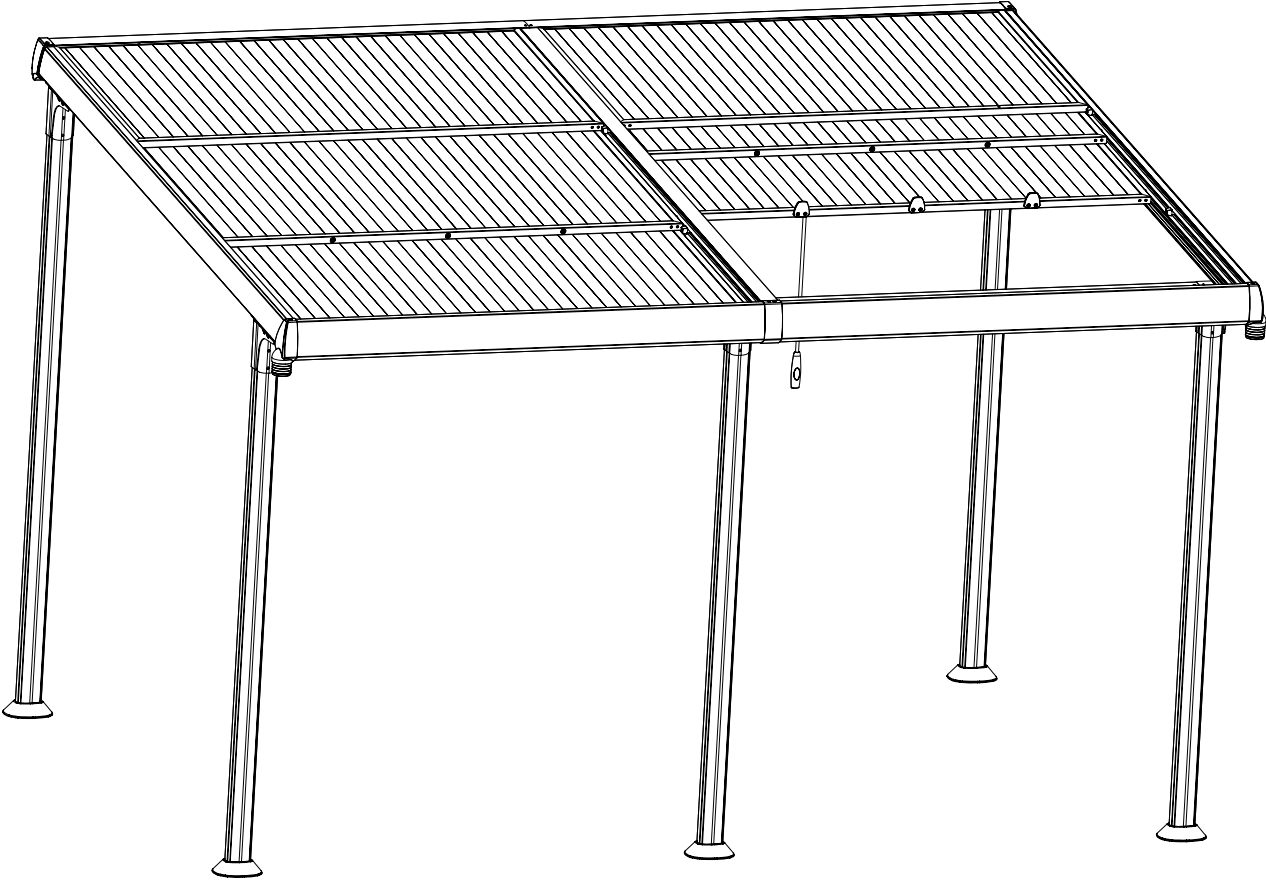





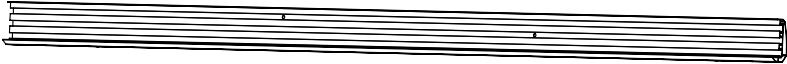
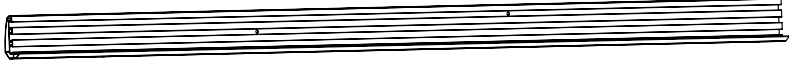





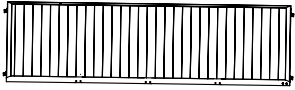
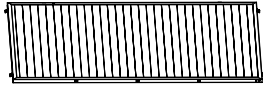
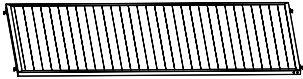
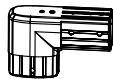
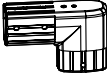
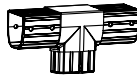




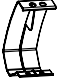
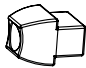


# GFA00712C



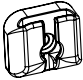
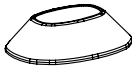



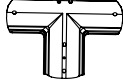
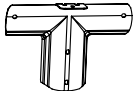
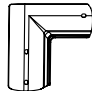
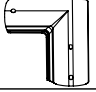

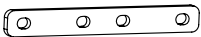


# ASSEMBLY INSTRUCTION





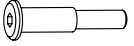

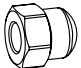
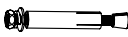


## PARTS LIST

PARTS NO	QTY	DESCRIPTION			
A1	3				
A2	2				
B1	2				
B2	1				
B3	1				
C1	1				
C2	1				
D	1				
E1	1				
E2	1				
F1	1				
F2	1				
G1	2		G2	2	
G3	2		H1	2	
H2	2		I	1	
J1	1		J2	1	
K1	1		K2	1	
L	1		M	8	

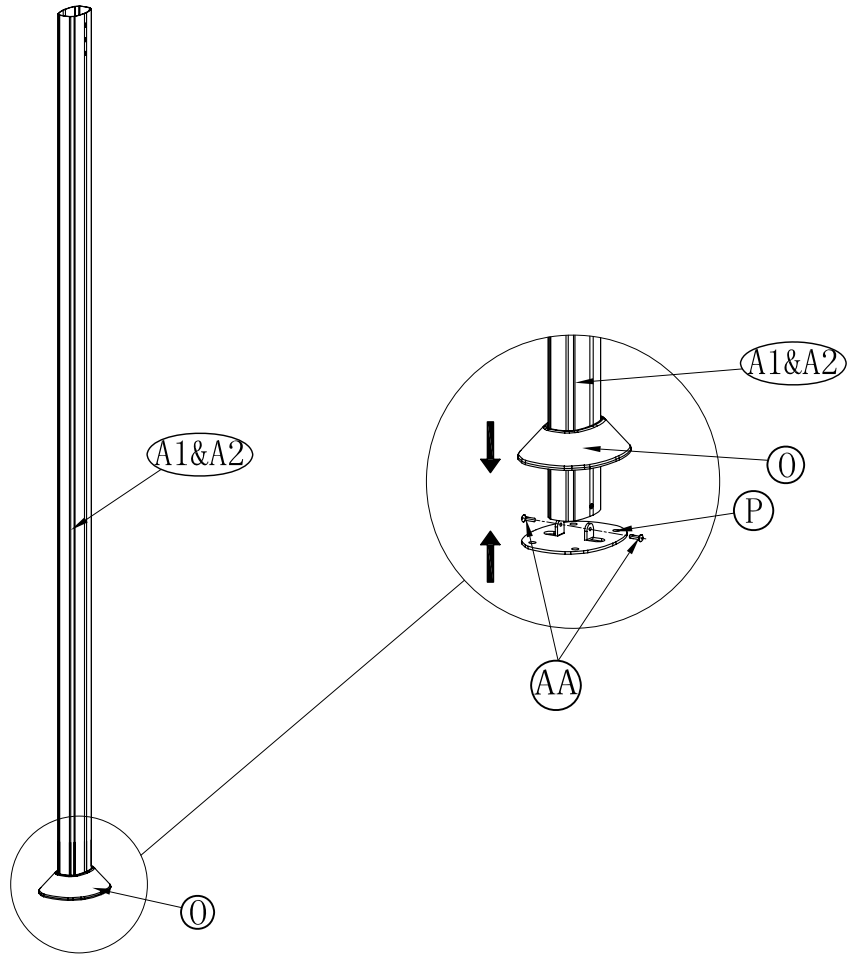
# ASSEMBLY INSTRUCTION

## PARTS LIST

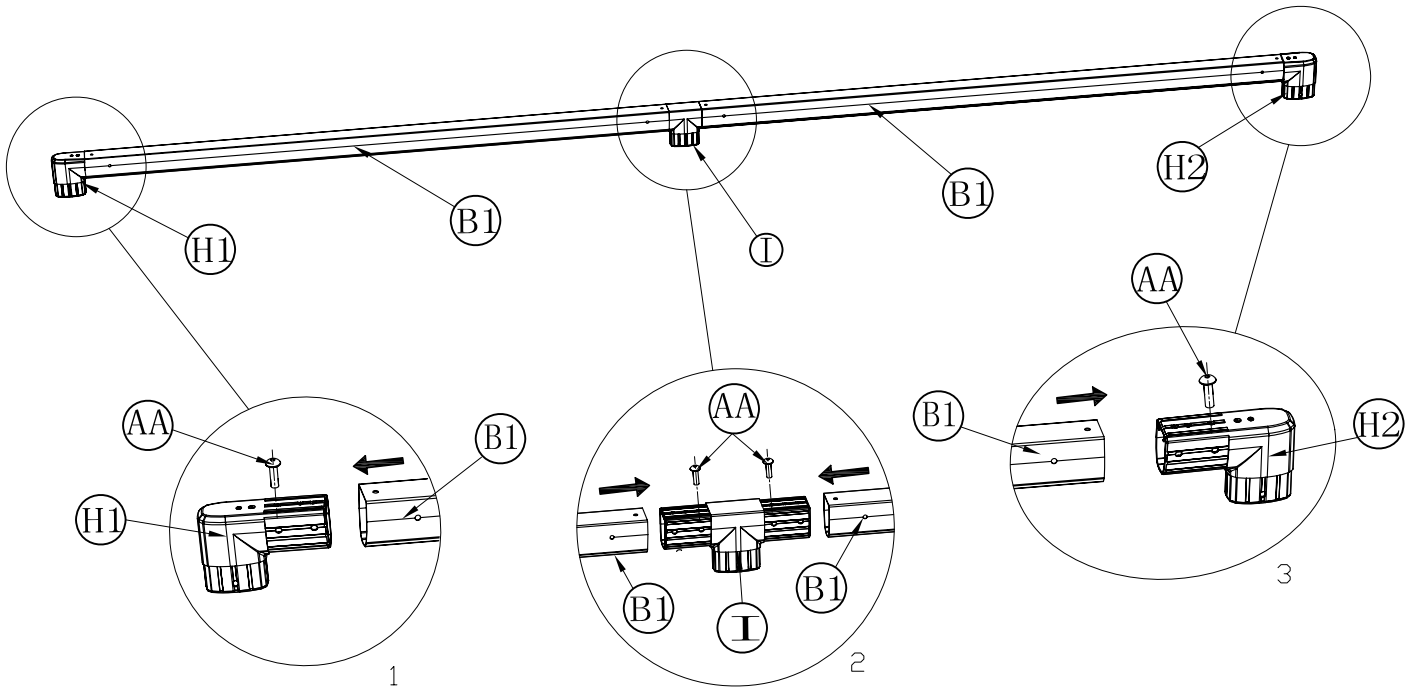
PARTS NO	QTY	DESCRIPTION			
N	1		O	5	
P	5		Q1	2	
Q2	2		R1	1	
R2	1		S1	2	
S2	2		T	1	
U	1		V	6	
W	1				

AA	78	 M6*15	BB	4	 M6*20
CC	16	 M6*72	DD	2	 M6*90
EE	6	 $\phi 8.8*20*M6*12$	FF	2	 $\phi 8.8*M6*39$
GG	18		HH	10	 M6*60mm
II	2		JJ	2	

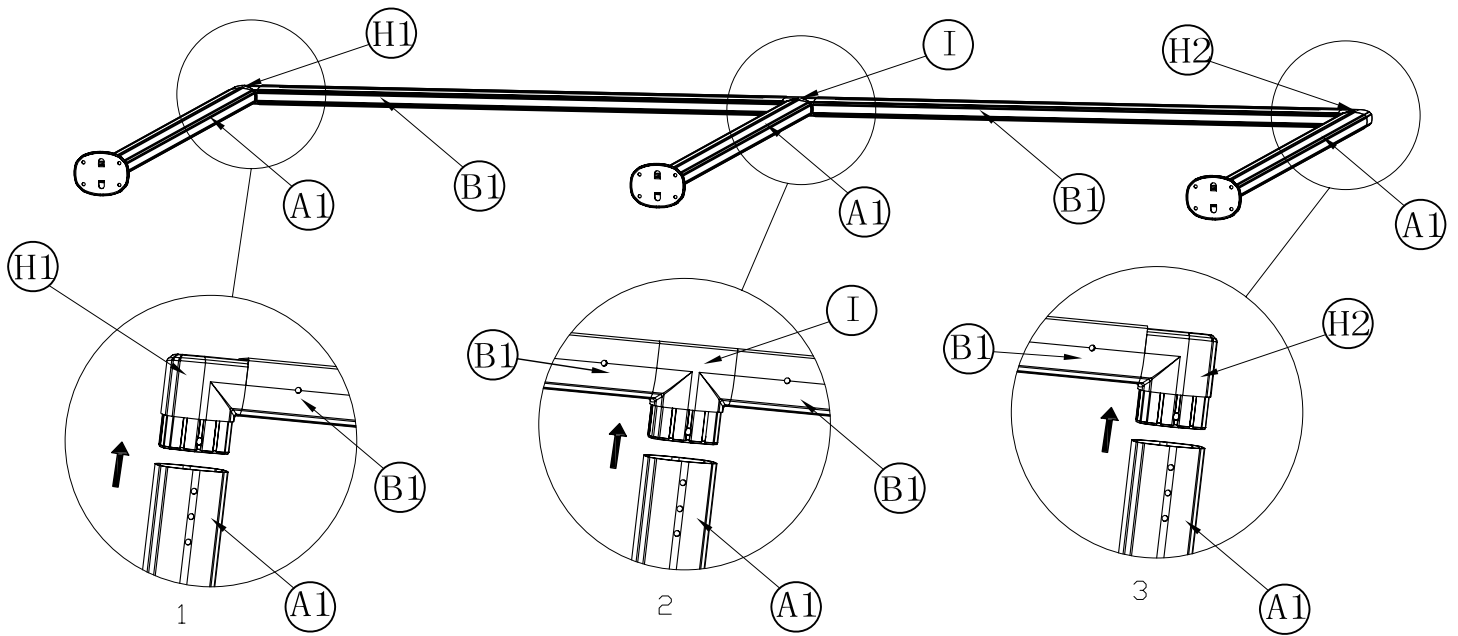
**STEP 01**



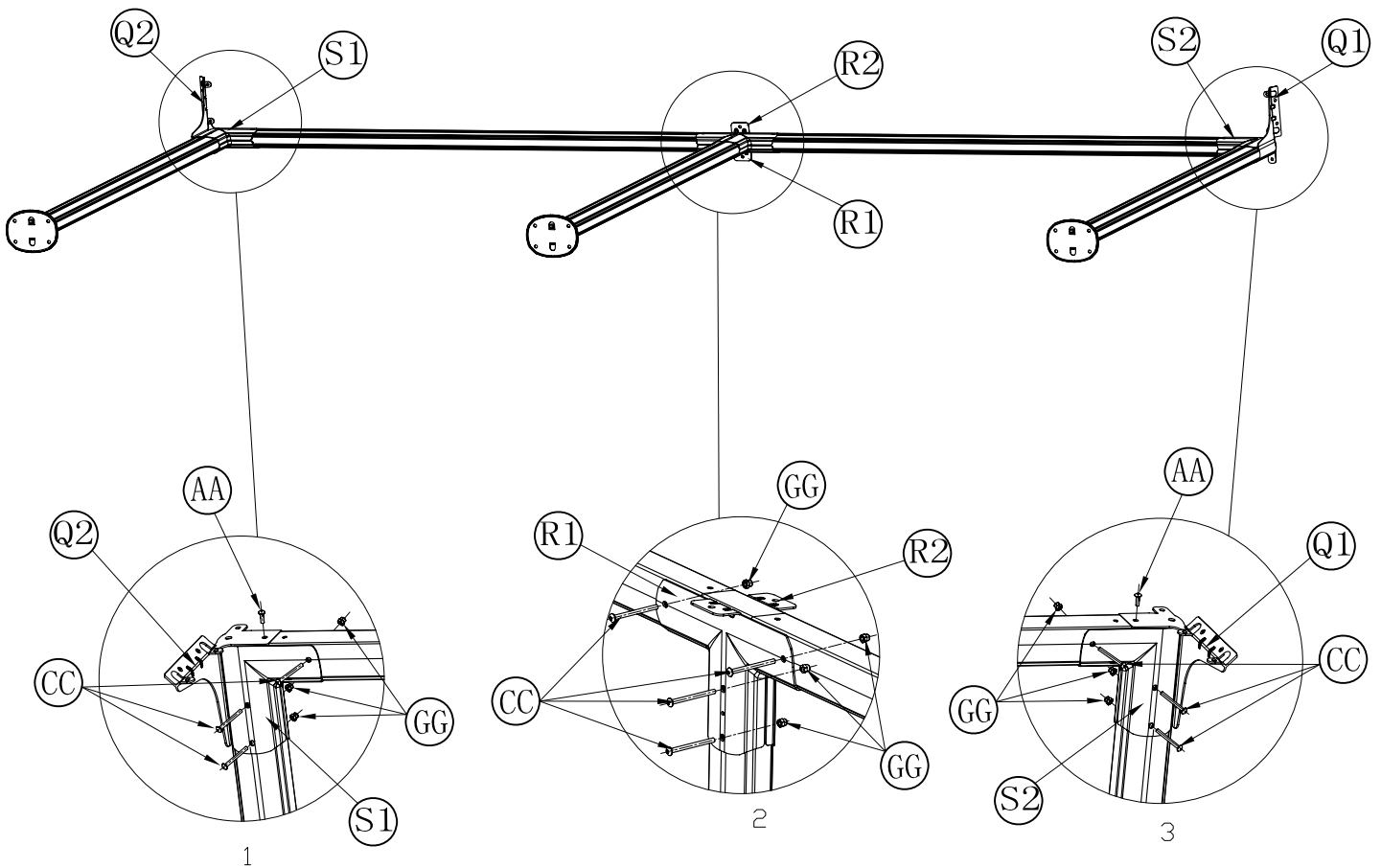
**STEP 02**



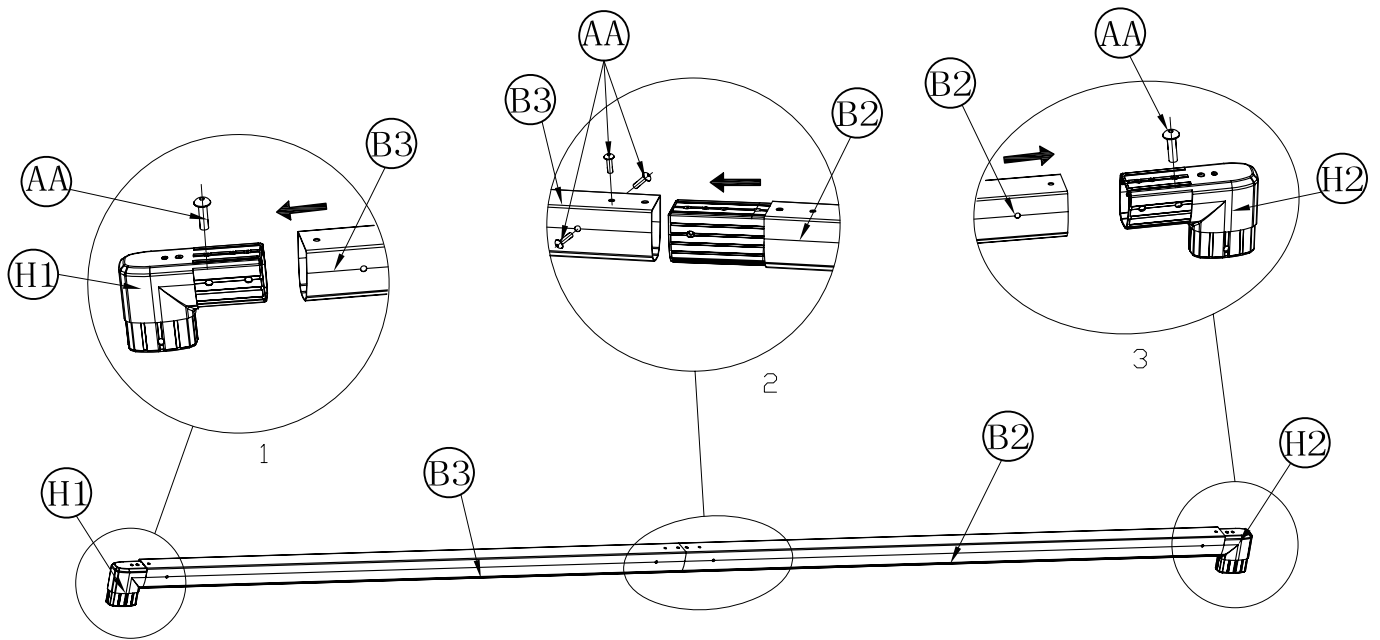
### STEP 03



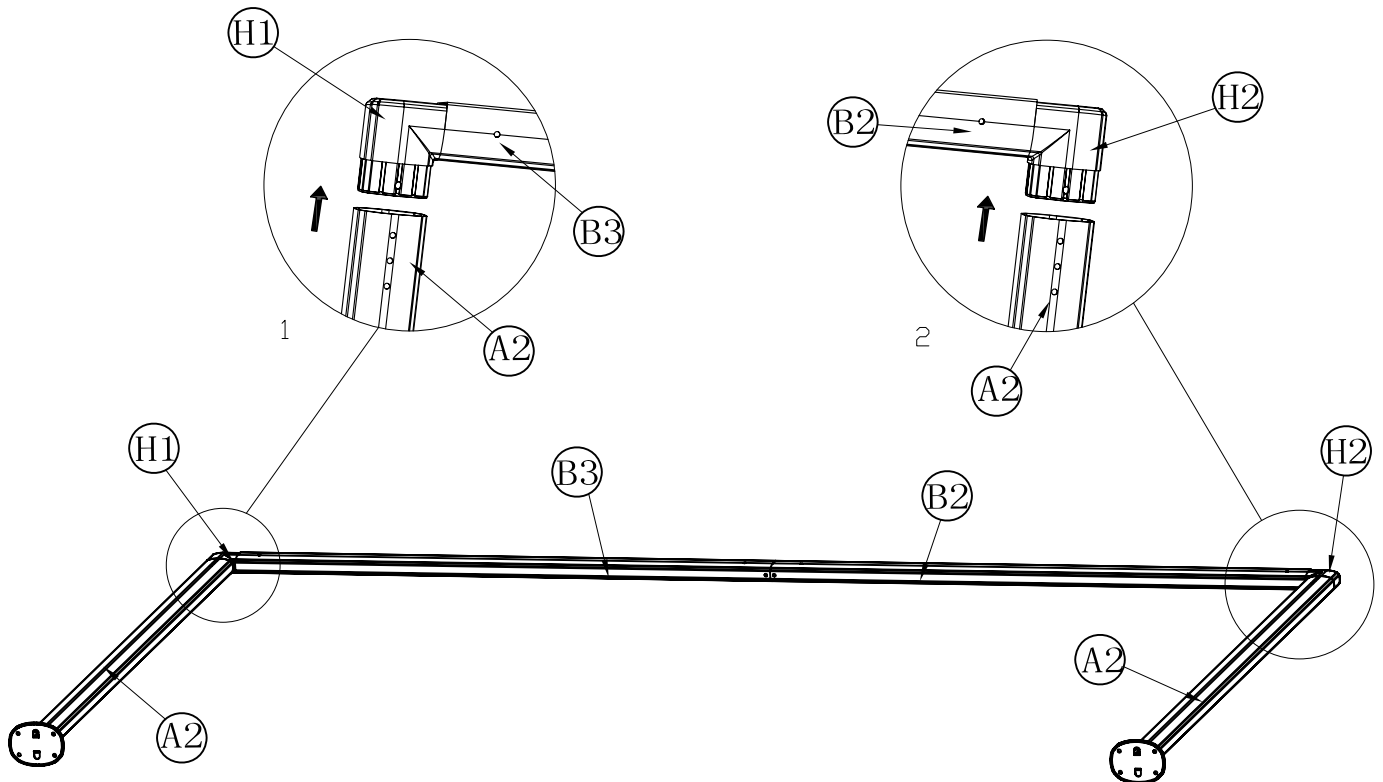
### STEP 04



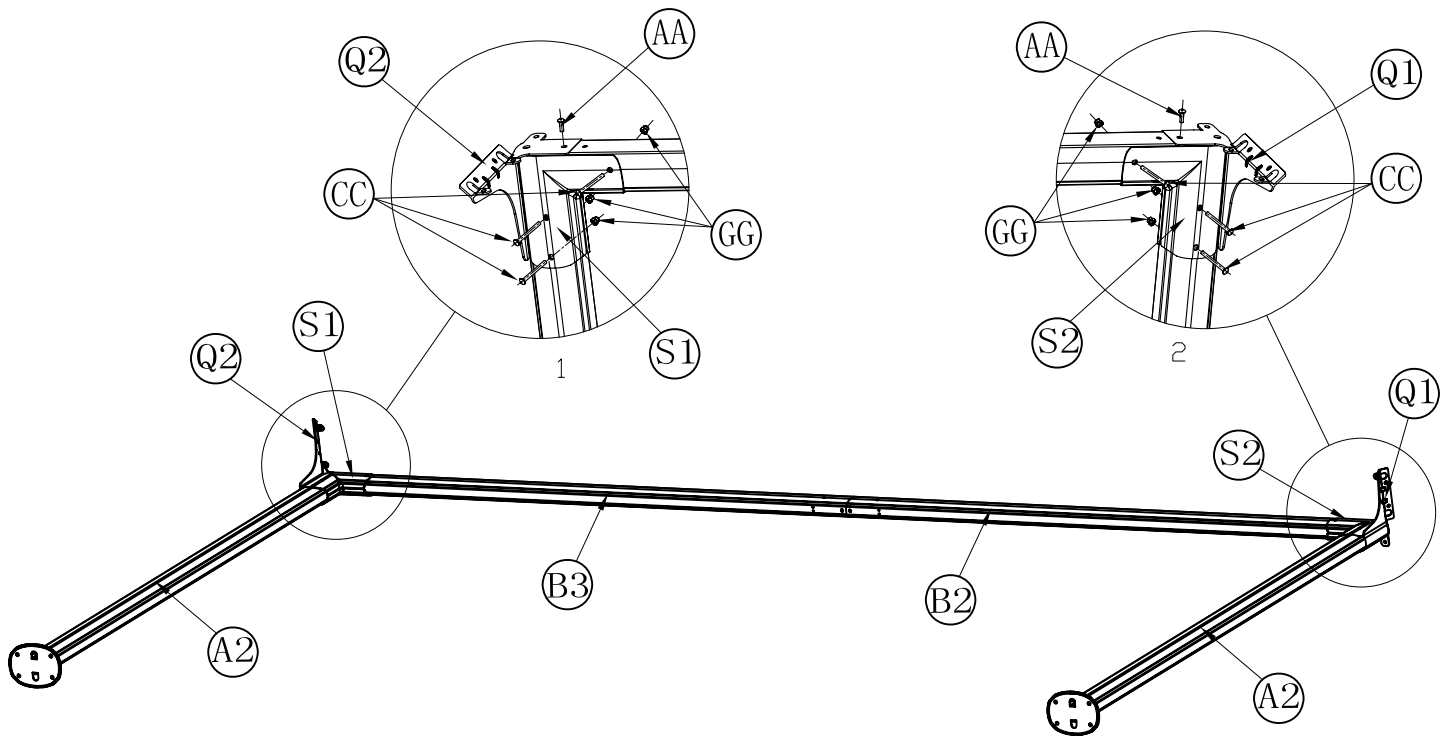
# STEP 05



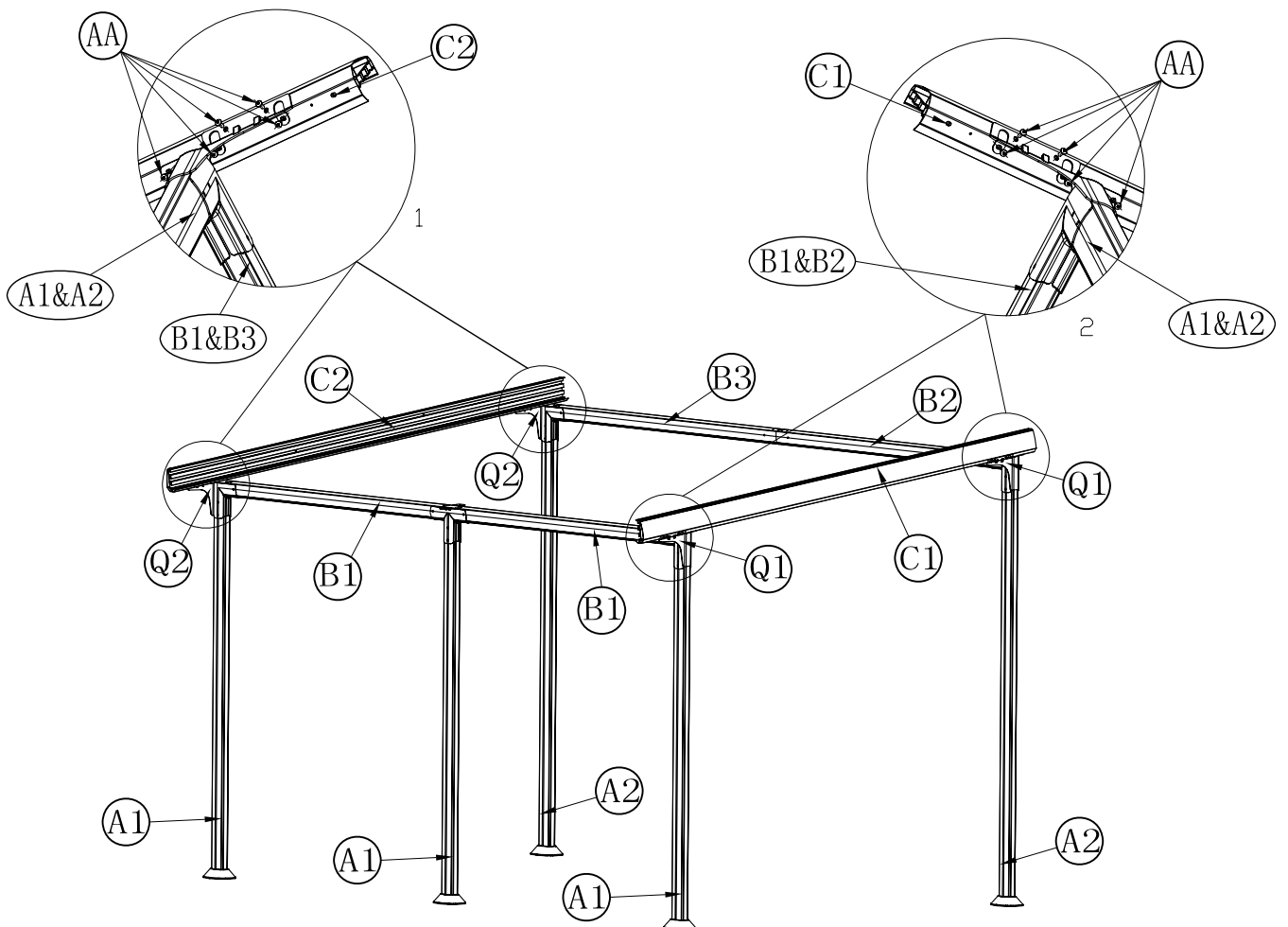
# STEP 06



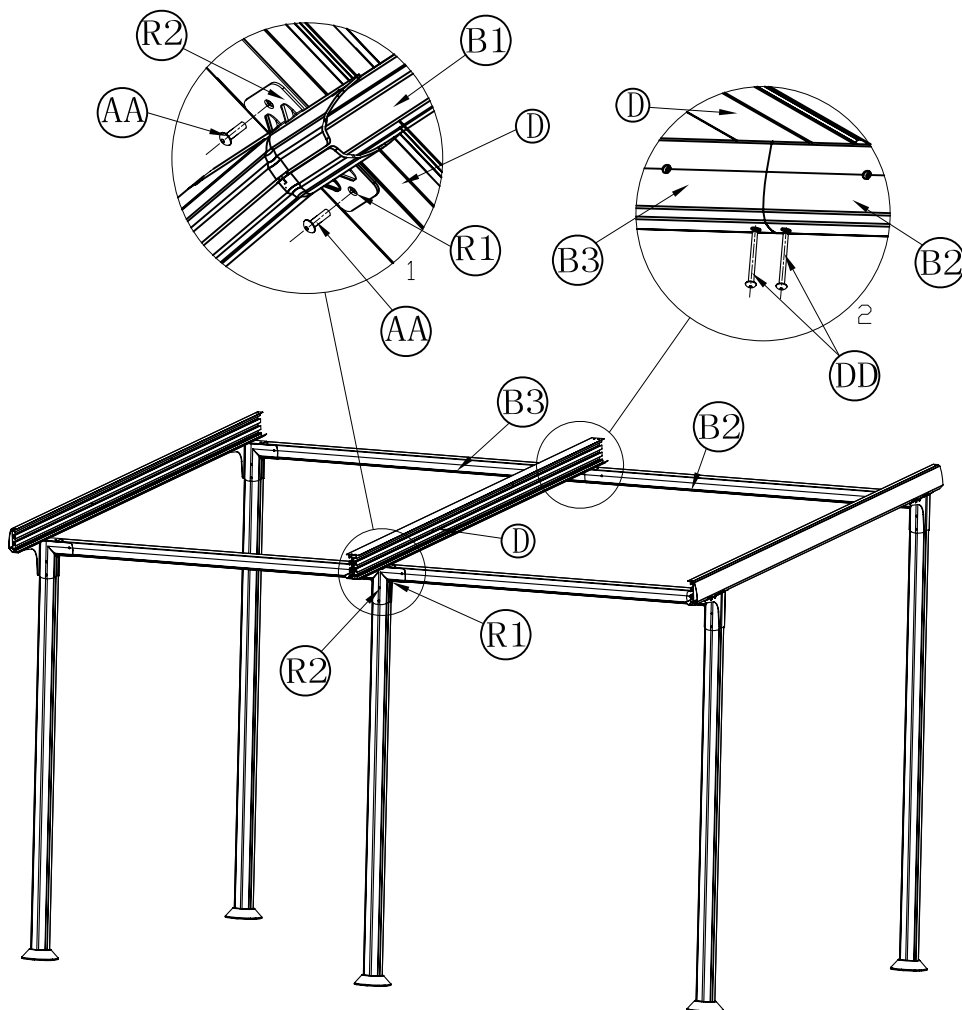
**STEP 07**



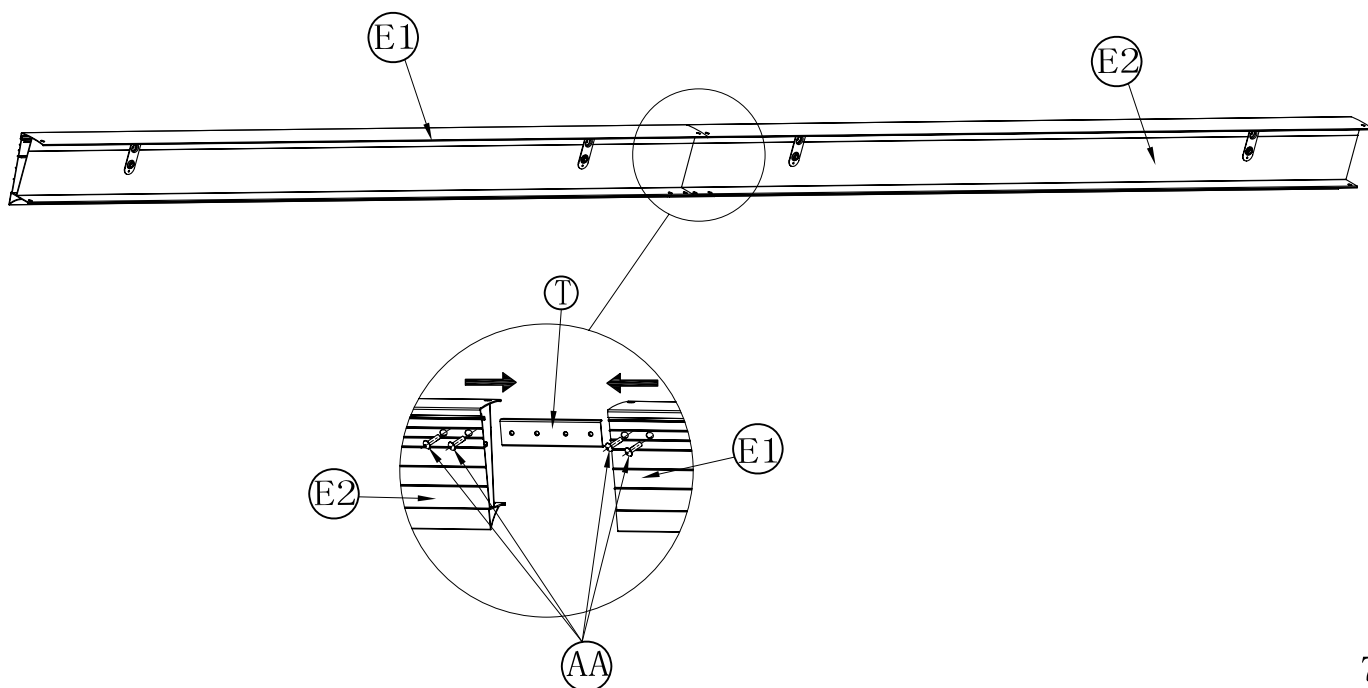
**STEP 08**



**STEP 09**

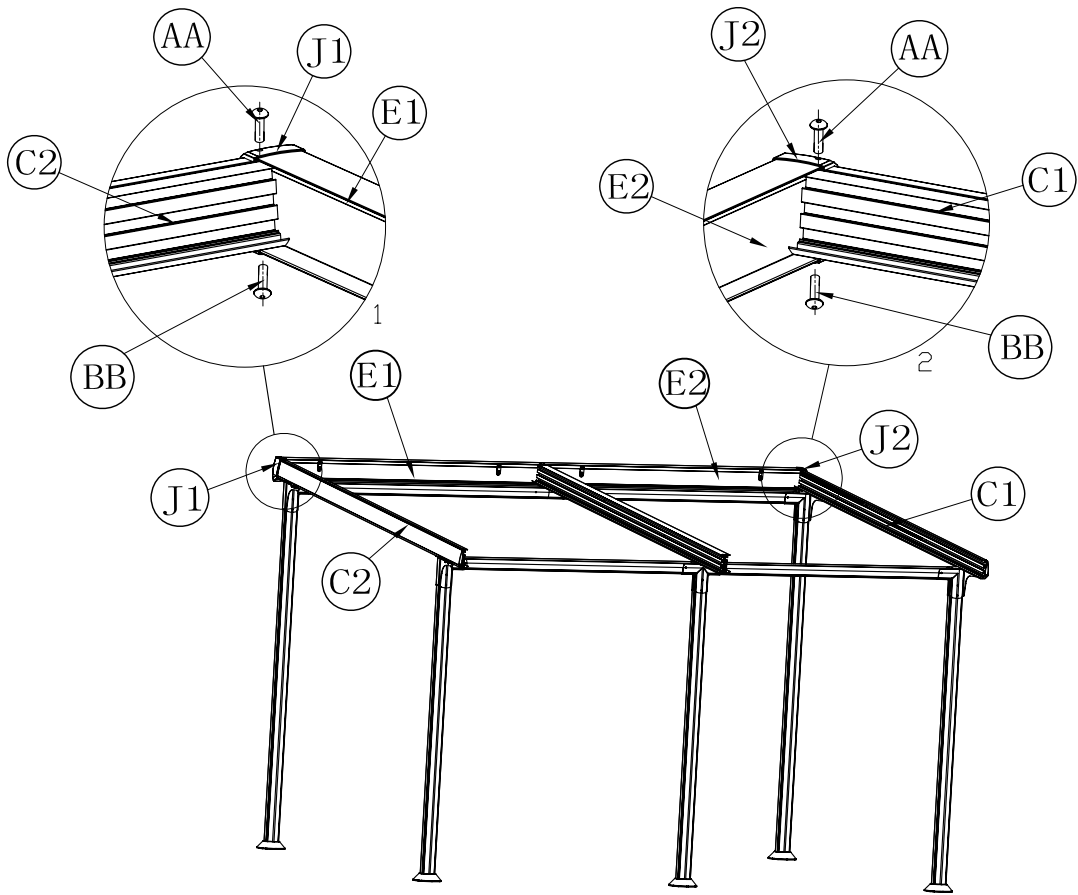


**STEP 10**

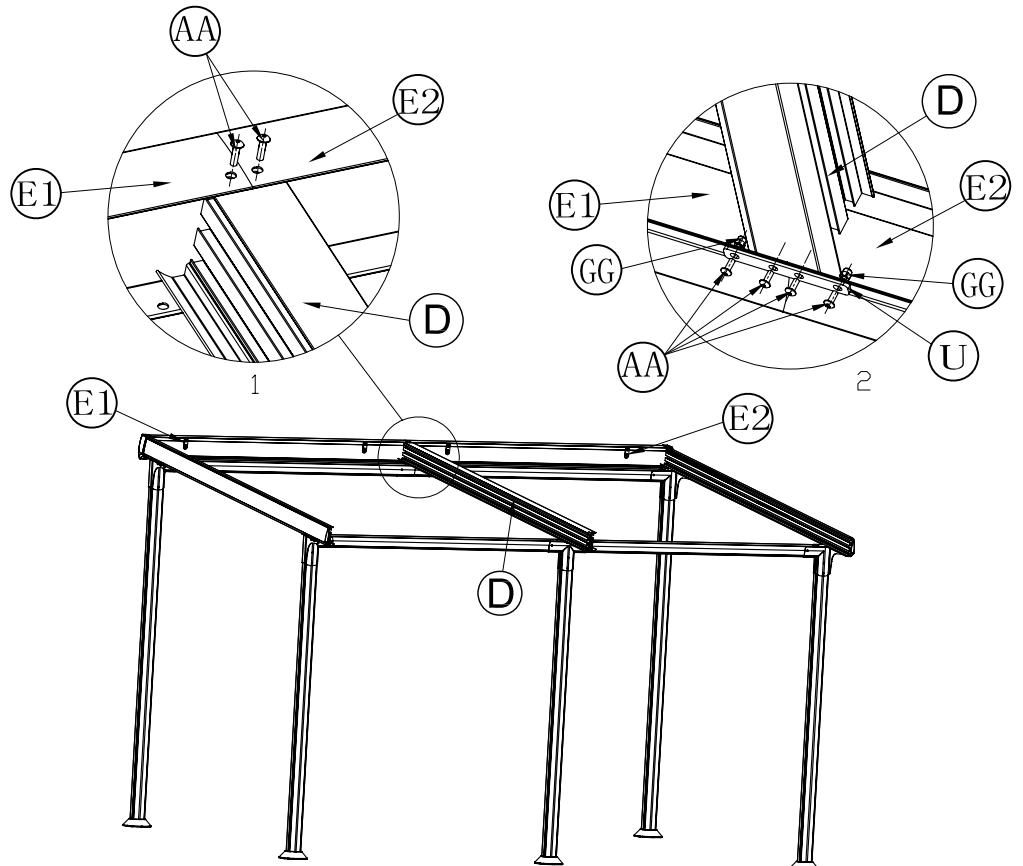




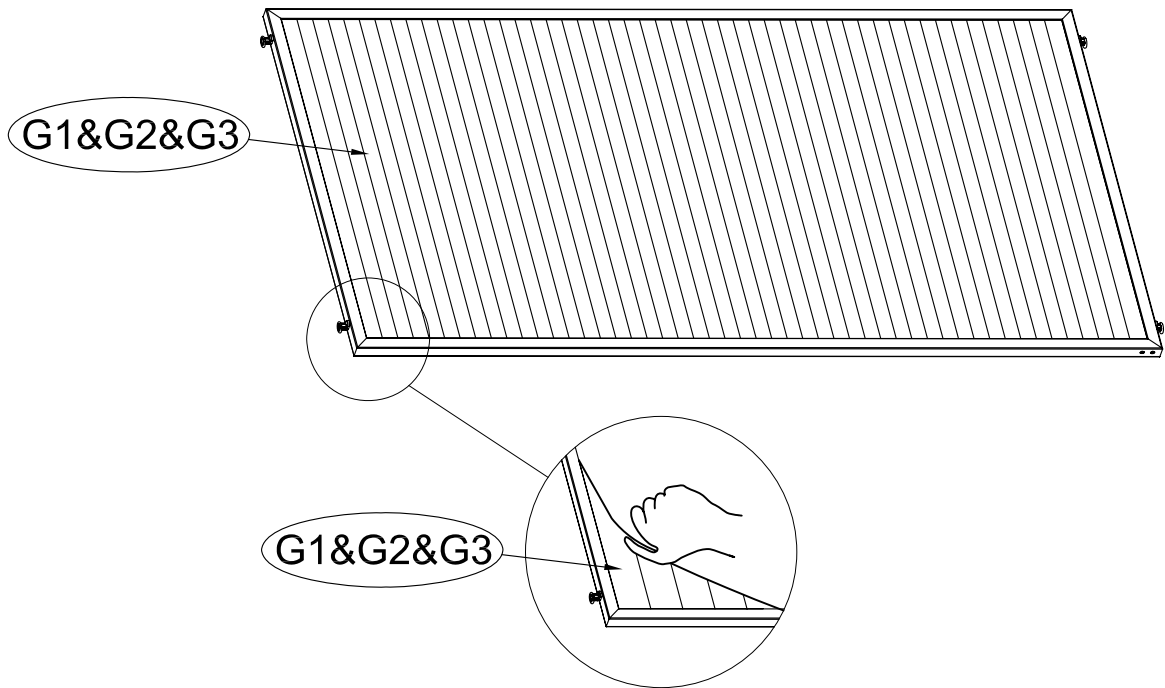
**STEP 11**



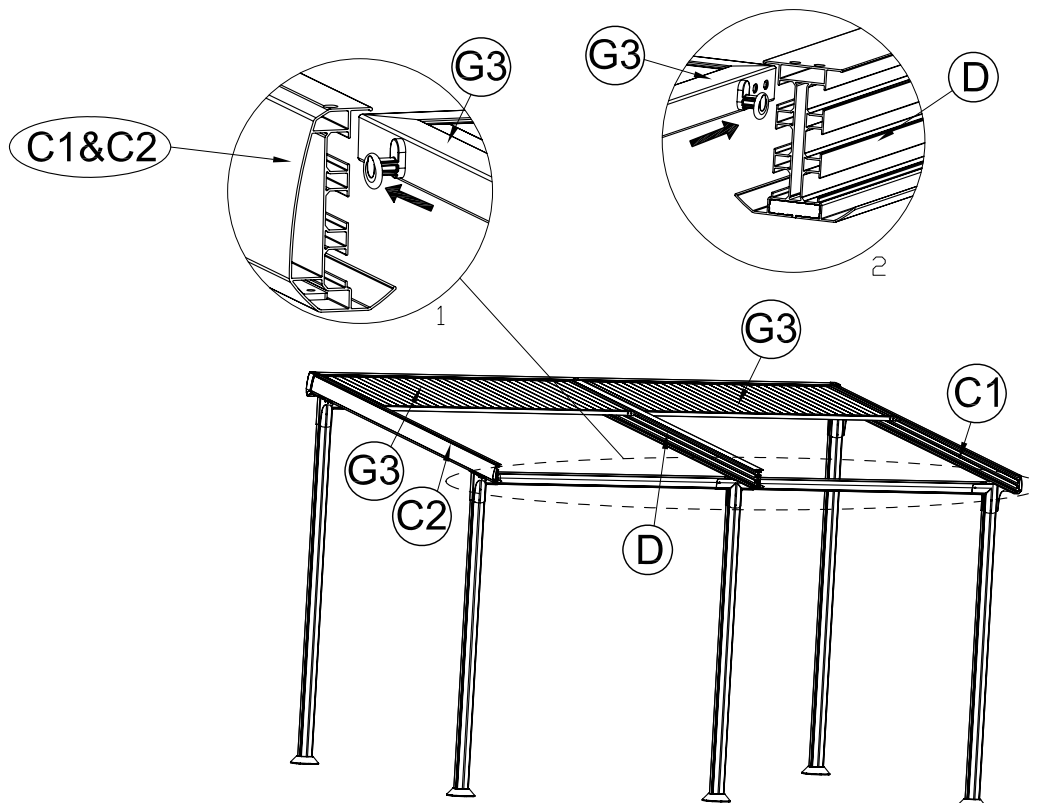
**STEP 12**



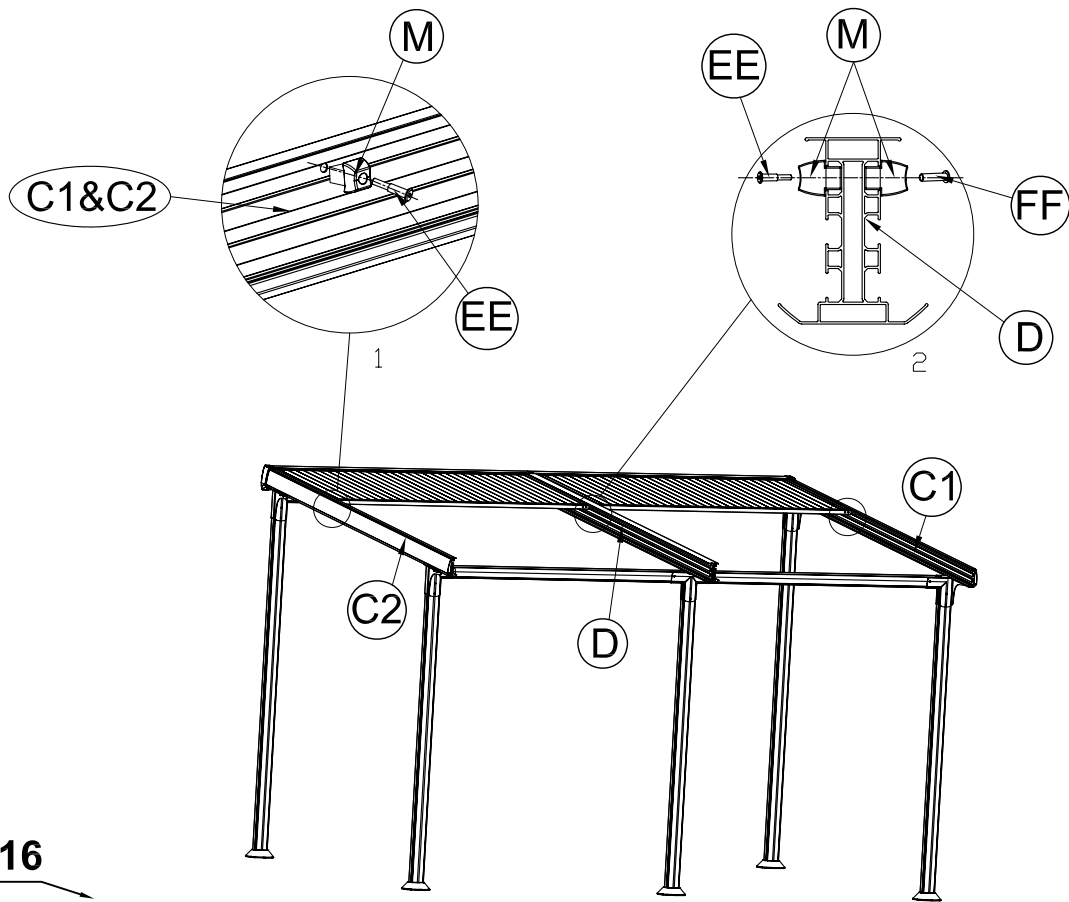
**STEP 13**



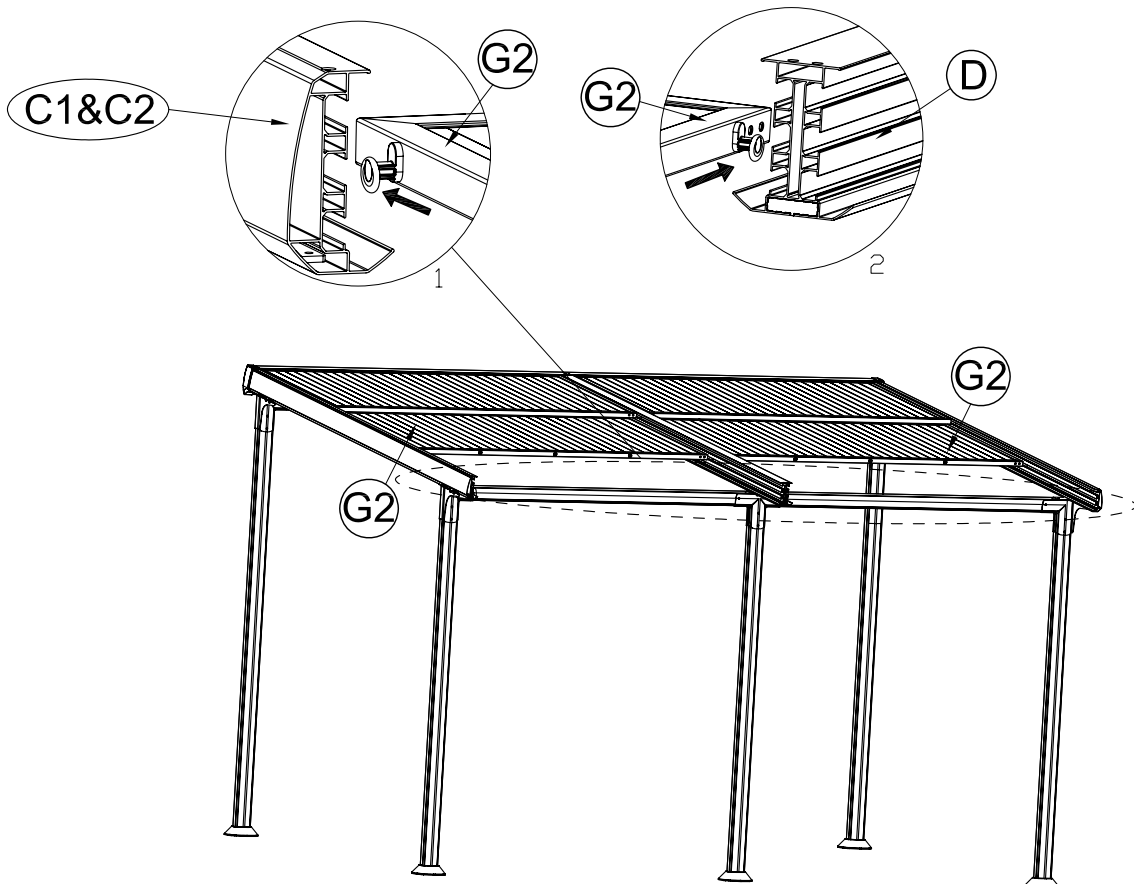
**STEP 14**



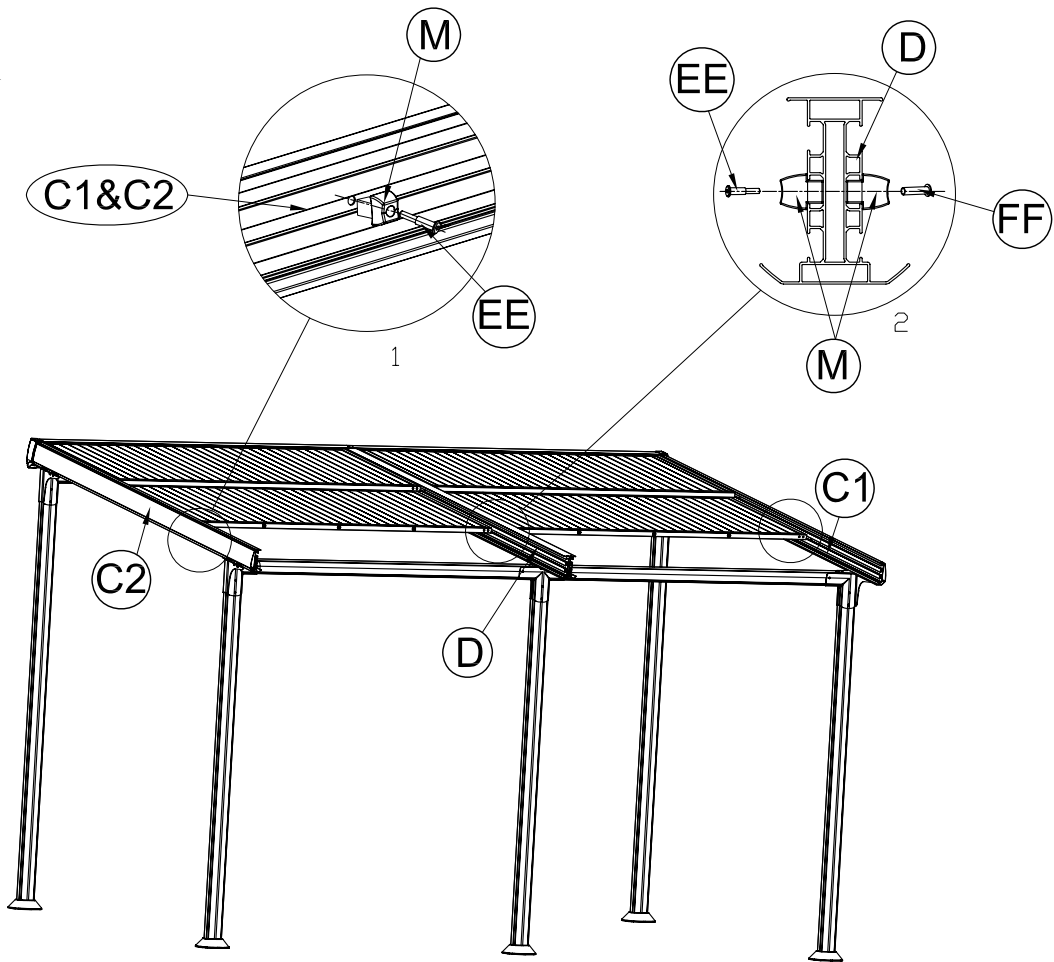
**STEP 15**



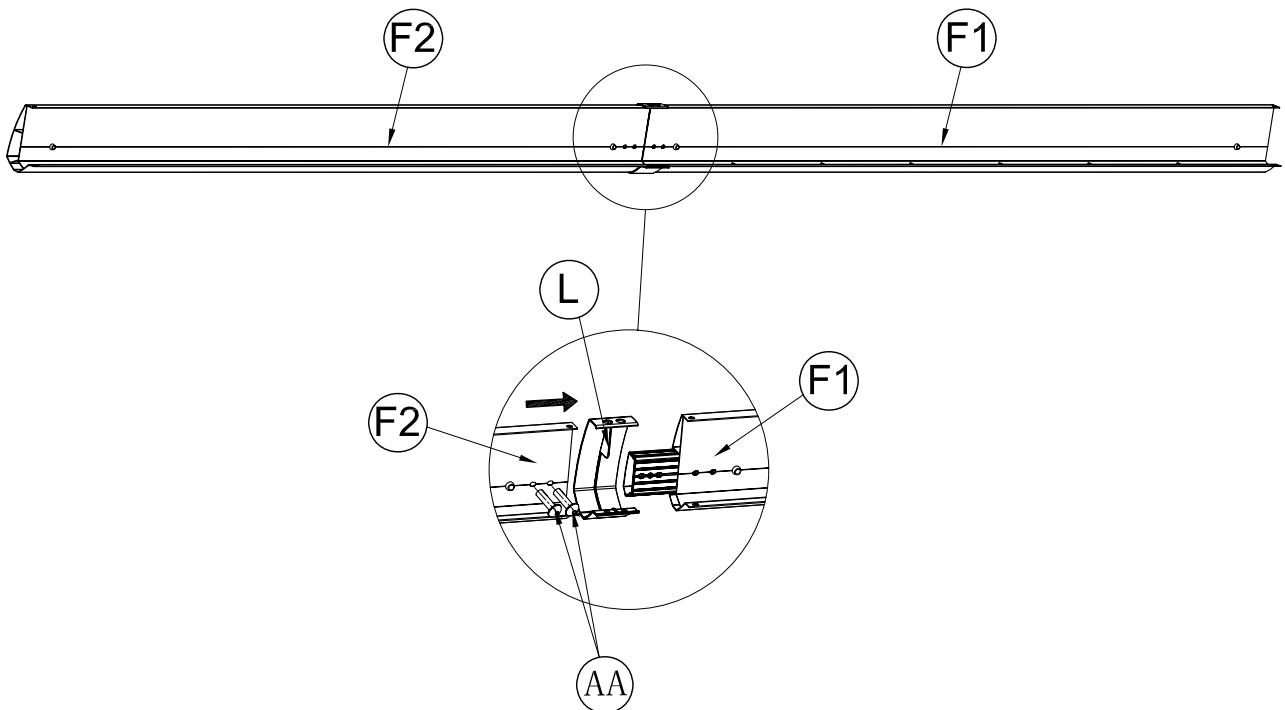
**STEP 16**



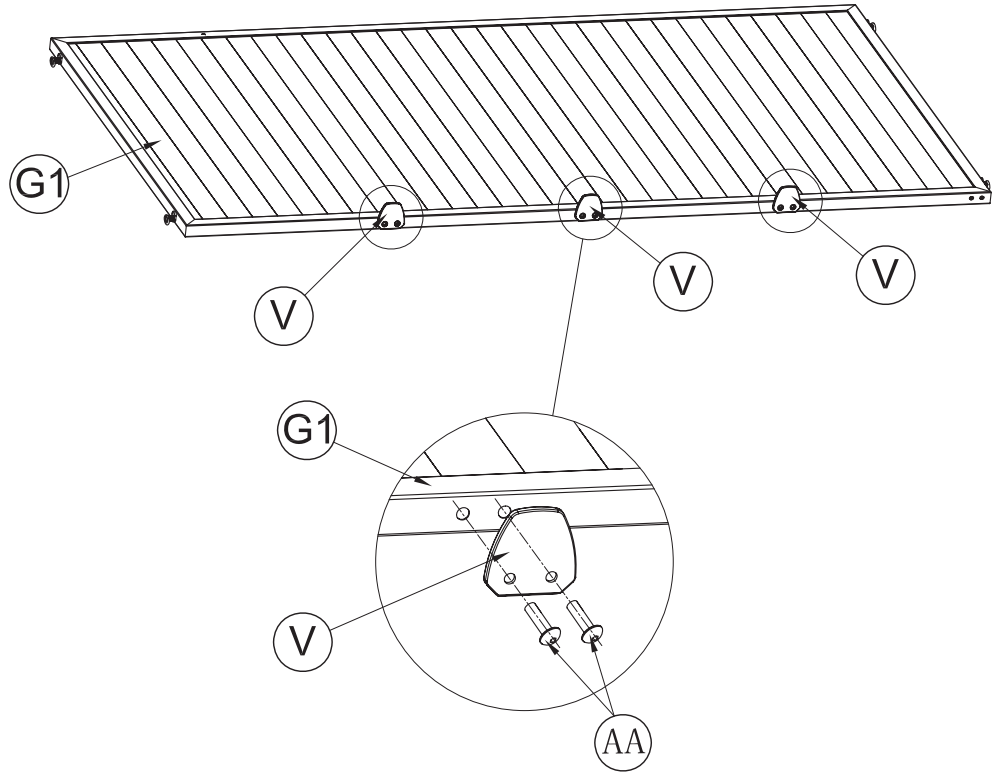
**STEP 17**



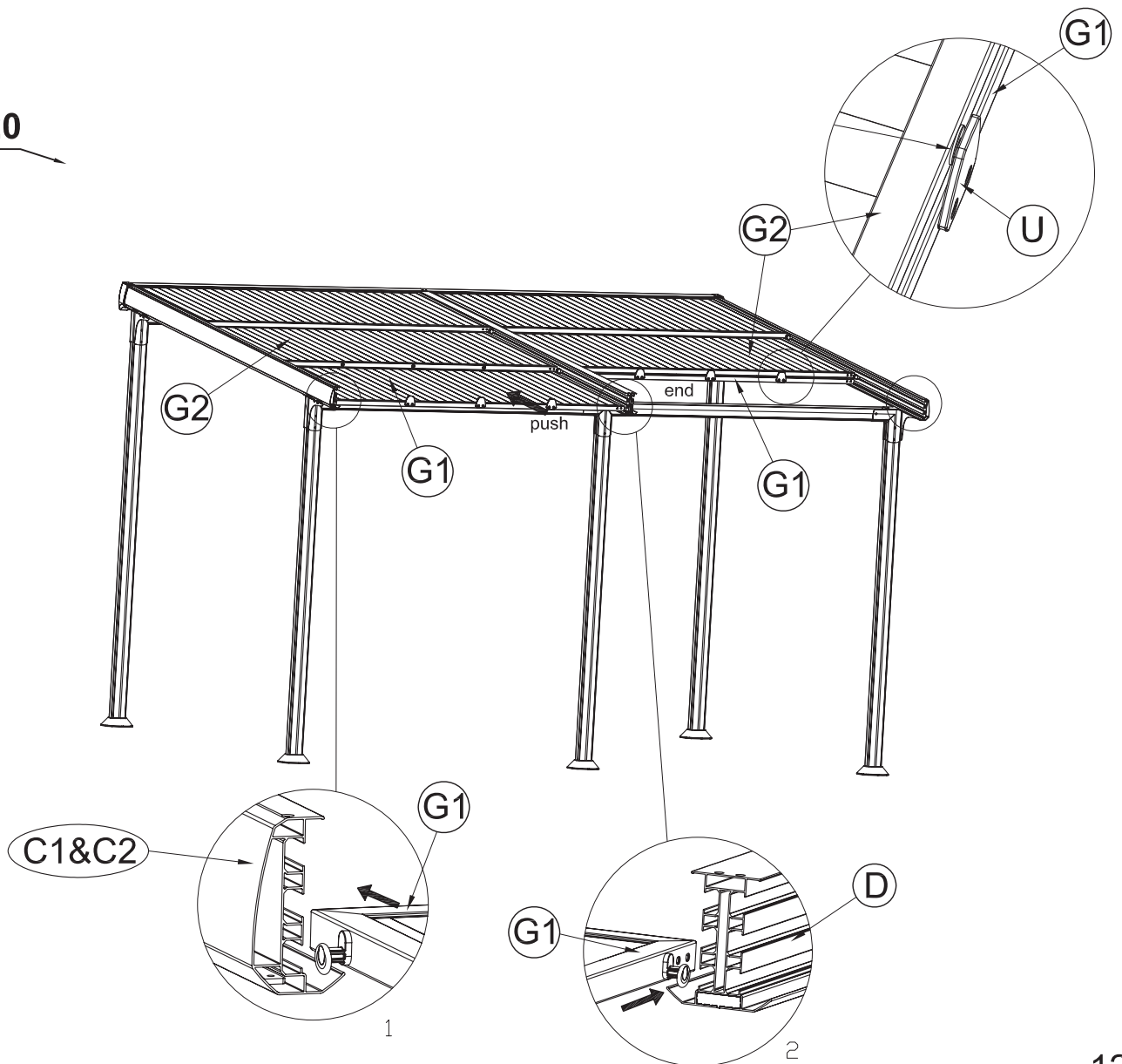
**STEP 18**



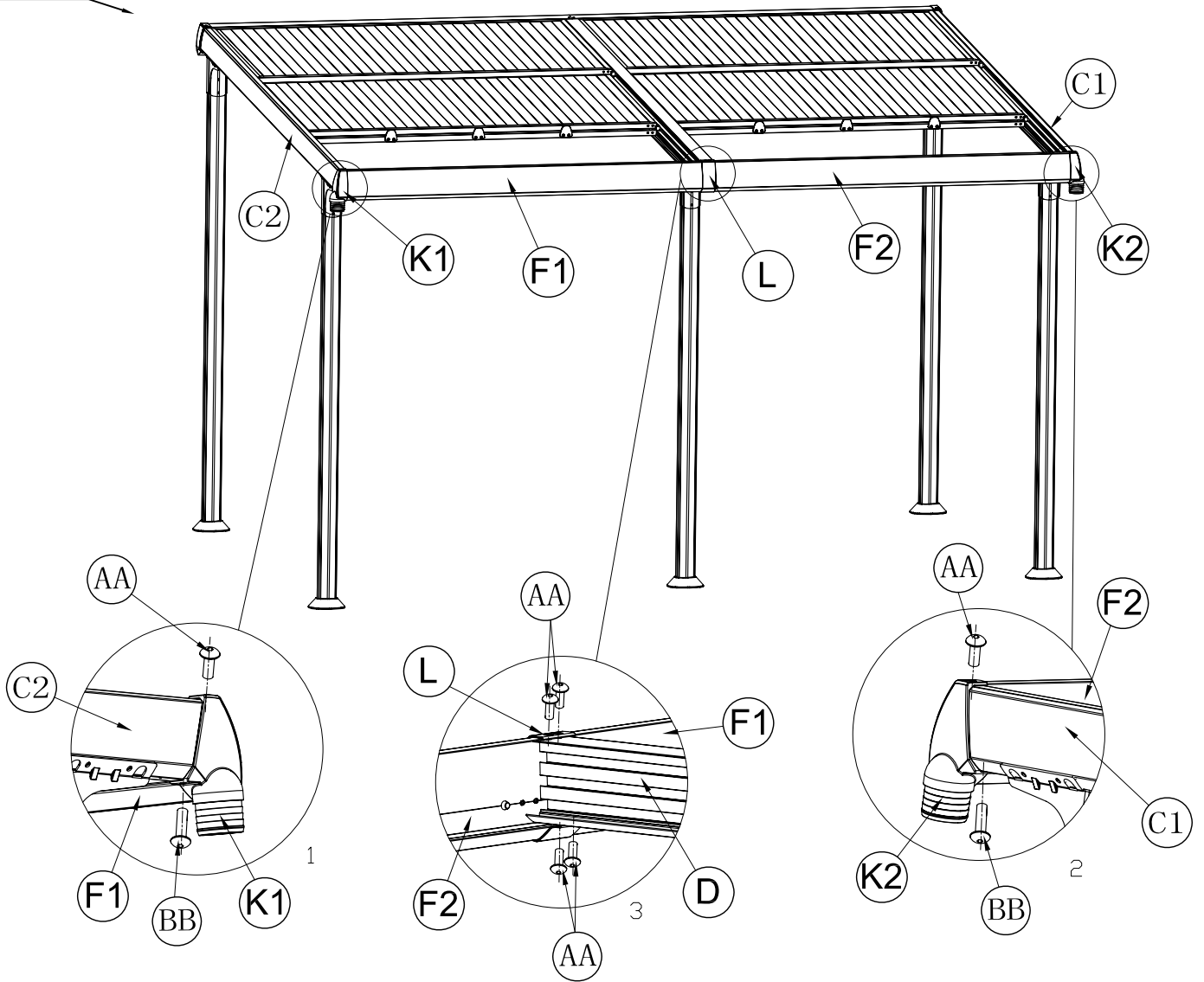
**STEP 19**



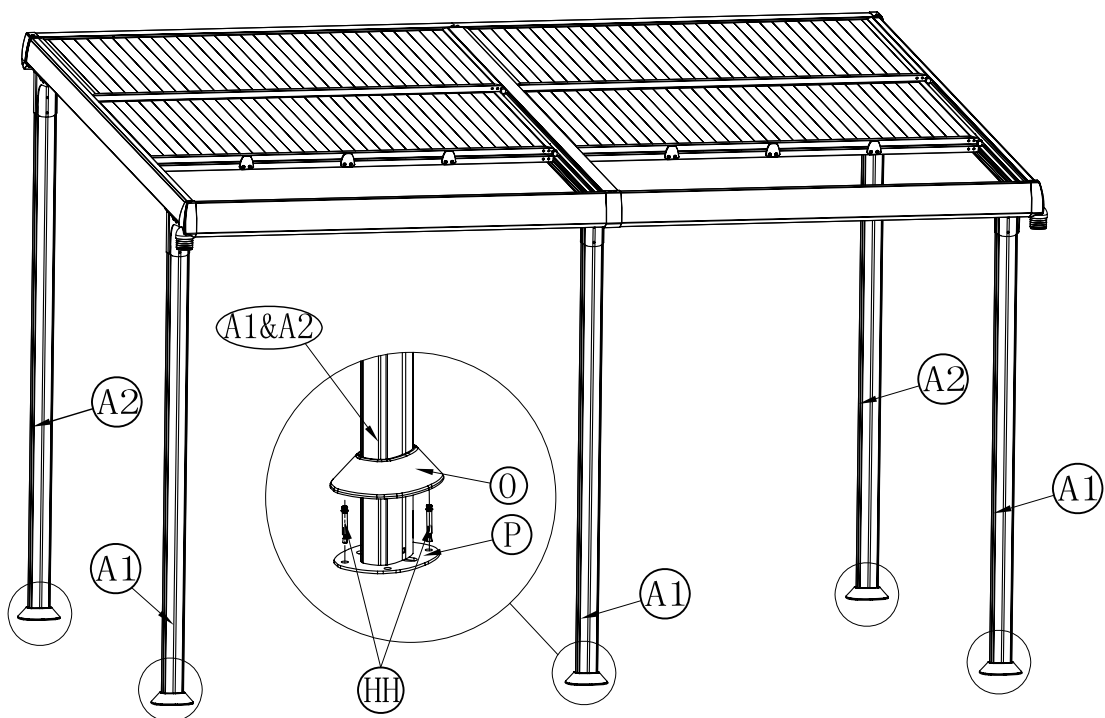
**STEP 20**



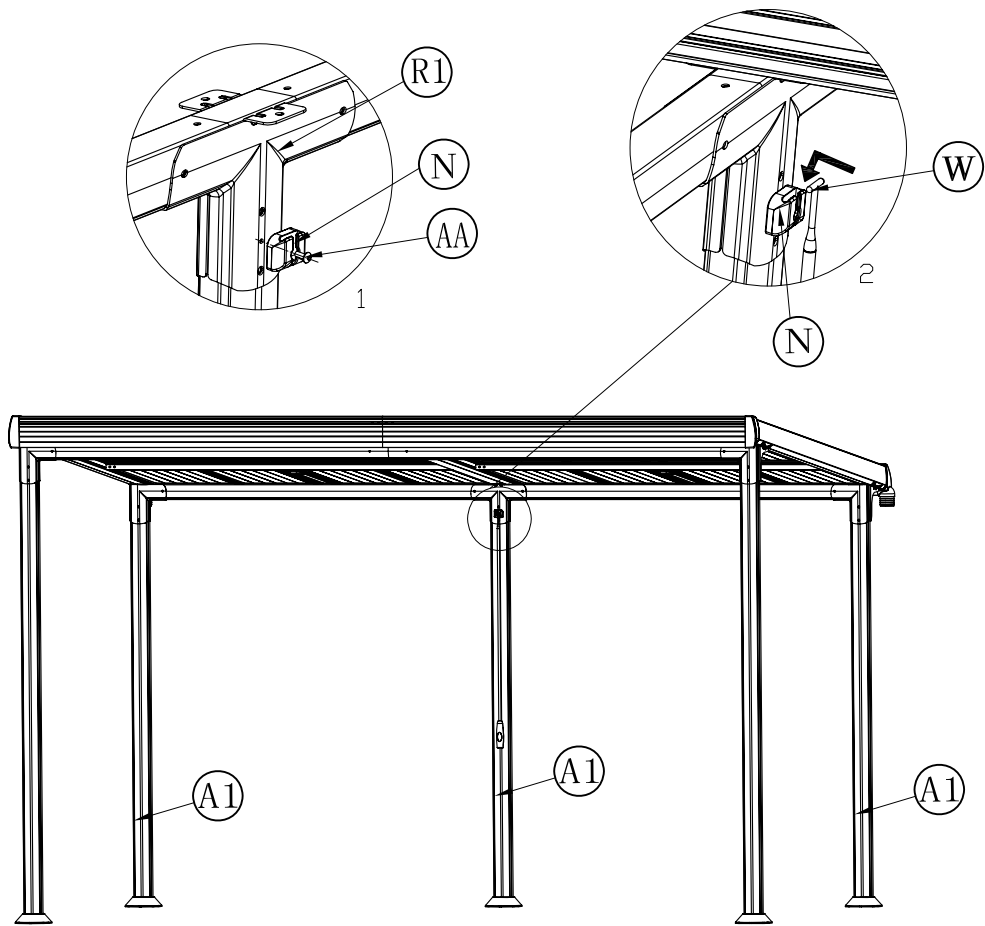
# STEP 21



# STEP 22



## STEP 23



## STEP 24

